



COUNTING counts

Counting Counts is a global community of professionals. Our members participate in improving and developing Pedestrian Flow Measurement-systems giving multinational organisations reliable insights for their business strategies.

JOIN OUR **LinkedIn** GROUP

POWERED BY **PFM**

DEALERBLOK

PFM Netherlands (HQ)
Flucon BV
Kalkovenweg 54
2401LK Alphen a/d Rijn
infoNL@pfm-counts.com

PFM England
Counting Solutions
2 Perth House
NN17 5JG Corby
infoUK@pfm-counts.com

PFM Germany
PFM Deutschland GmbH
Fenglerstraße 9 a
I d-22041 Hamburg
infoDE@pfm-counts.com

PFM in France
Canal Cable
01 Rue Claude Matrat
92130 Issy Les Moulineaux
infoFR@pfm-counts.com

PFM in Spain
Equiservi Madrid
Colmenar Viejo
Madrid 28770
infoSP@pfm-counts.com

PFM in Australia
PO BOX 5111 Burnley
Melbourne
Victoria 3121
infoAU@pfm-counts.com

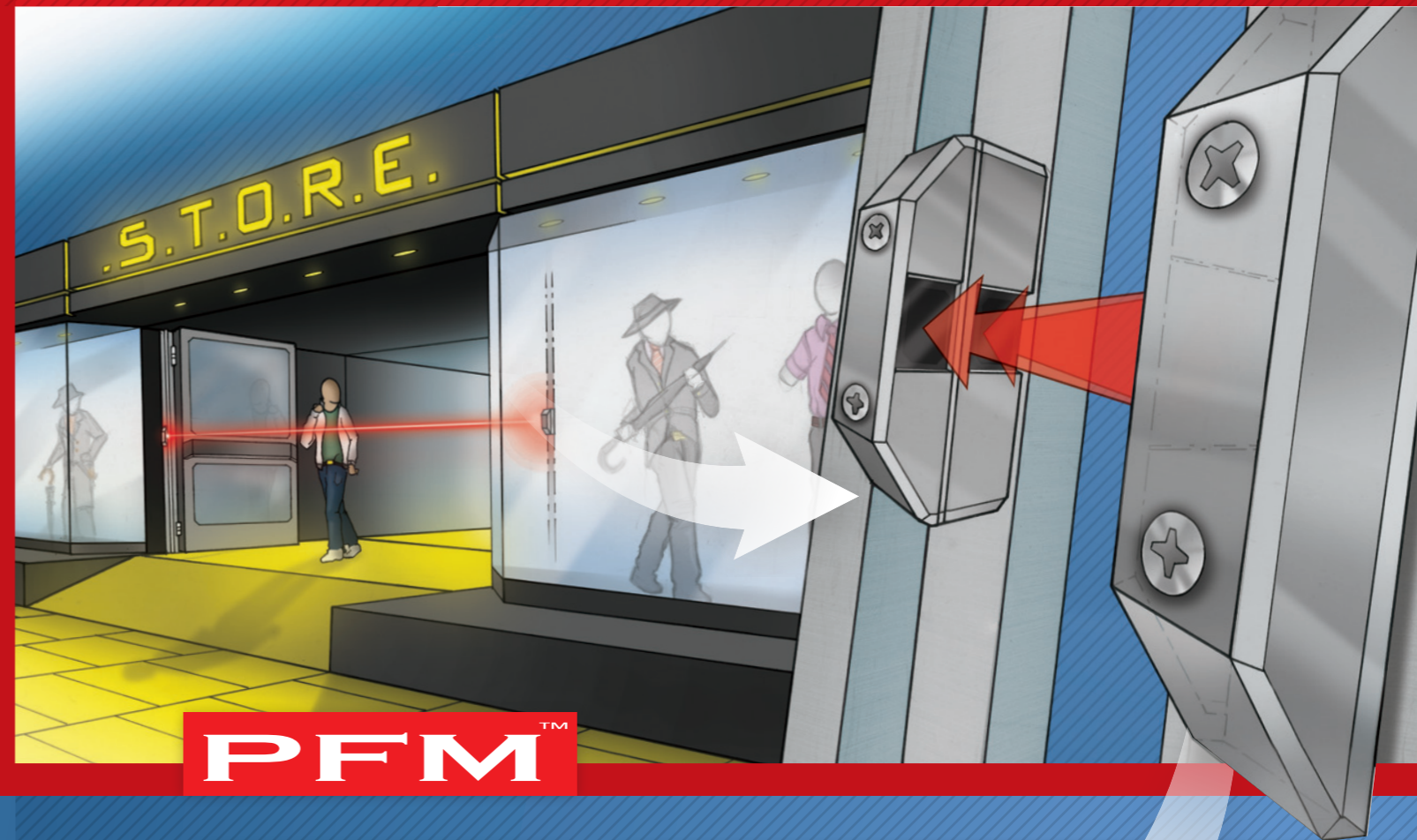
PFM in Portugal
Avenida da Boavista
245-4
4050-115 Porto
infoPT@pfm-counts.com

PFM in South Afrika
Carpe Diem Office Park
Venezia Building
Cape Town
infoSA@pfm-counts.com

PFM in Czech Republic
Novatec S R O
Strojirenska 260
CZ 155 21 Praha Zlicin
infoCZ@pfm-counts.com

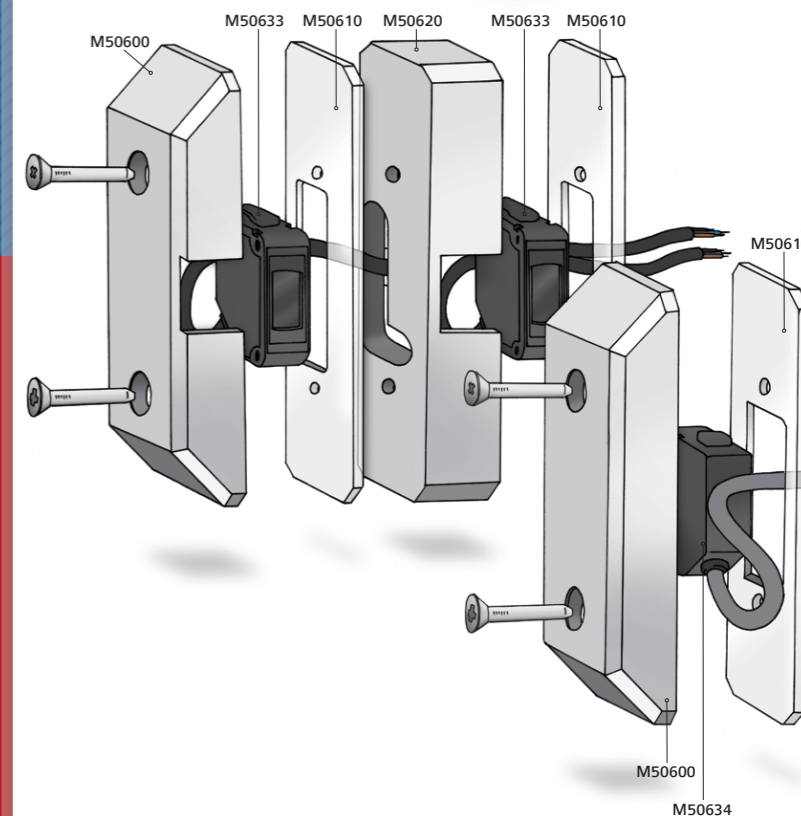
PFM in Romania
Vonrep S.r.l
Str. Unirii bl.13 Sc. 2 Ap.
11 Targu Jiu
infoRO@pfm-counts.com

PFM in Italia
Via Marconi 6
26020
Palazzo Pignano (CR)
infoIT@pfm-counts.com



LFT4-D/H

The LFT4-D/H is one of the most used sensorsets within the PFM sensorrange. The design is chosen to obtain a minimum visibility after installation. Our customers often require a uniform shop layout so we can supply this housing in any colour. The maximum distance is default 4 meters. While using a extra base the distance can go up to 8m. We always place the rubber seal inbetween. The mounting height is 1.3 m.



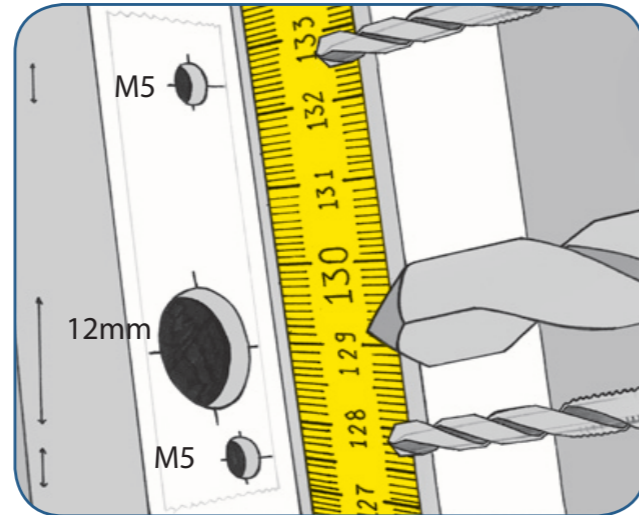
TOOLLIST

- FITTING SCREWDRIVER
- MEASURING TAPE
- SCREWDRIVER CROSS
- AMP TOOL
- CUTTER
- DRILMACHINE Ø 5 8 4,2
- MACHINE TAP M5
- STANLEY KNIFE
- 12MM DRILL / STEEL / CONCRETE

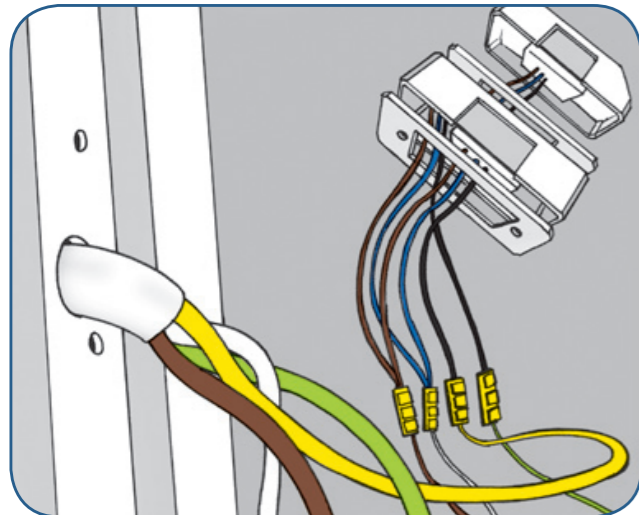
MONTAGE INSTRUCTIES



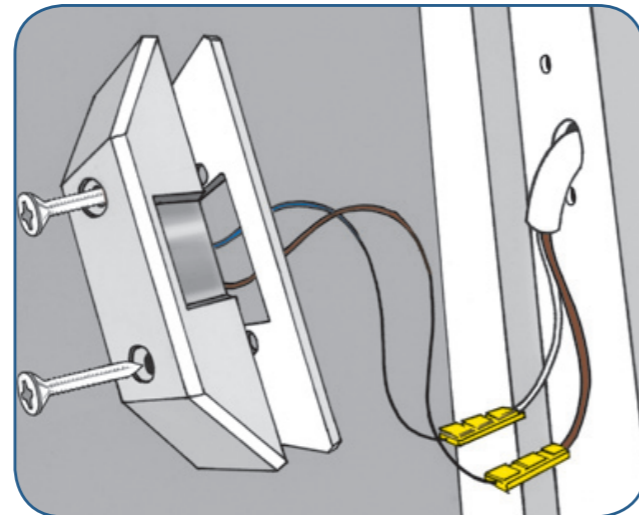
DETERMINE IDEAL POSITION. EXCLUDE WINDOWS & DOORFRAMES WHITIN THE IR BEAM AS MUCH AS POSSIBLE.



PLACE SOME TAPE ON THE ALUMINUM FRAME AND MARK THE HOLE'S DRILL 4,2MM AND TAP M5 THREAD.

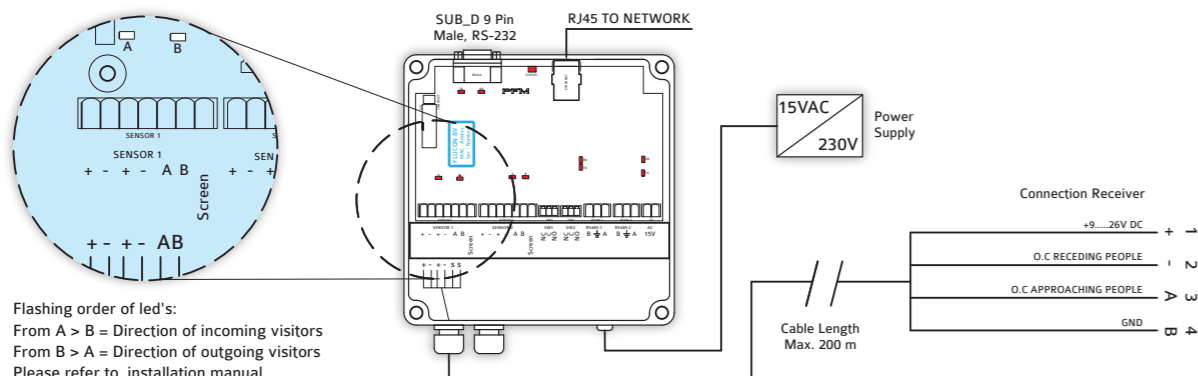


brown to brown = plus
white to blue = minus
green to black = signal A
yellow to black = signaal B



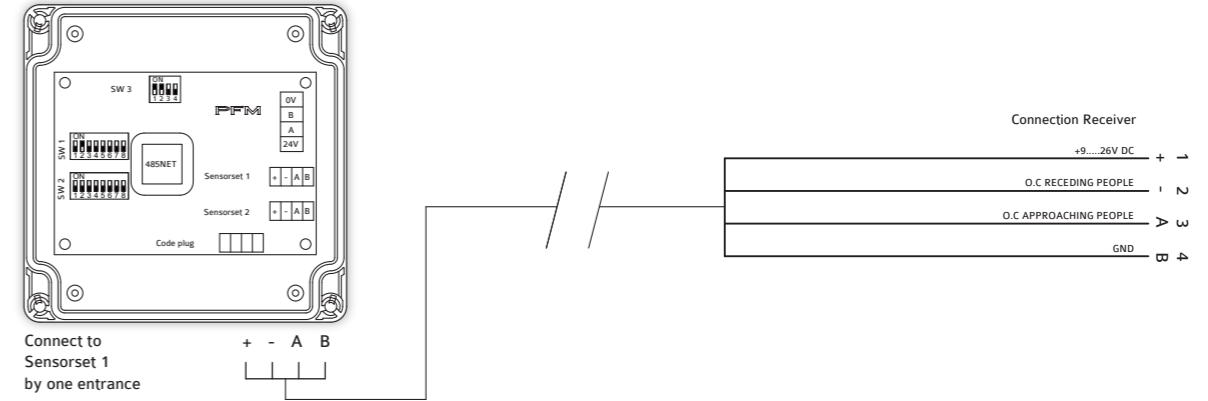
Set the sensitivity before assembling all together (see next page)
Mount sender side, hold receiver (one by one) by hand while adjusting sensitivity.

SYSTEM 6(A)



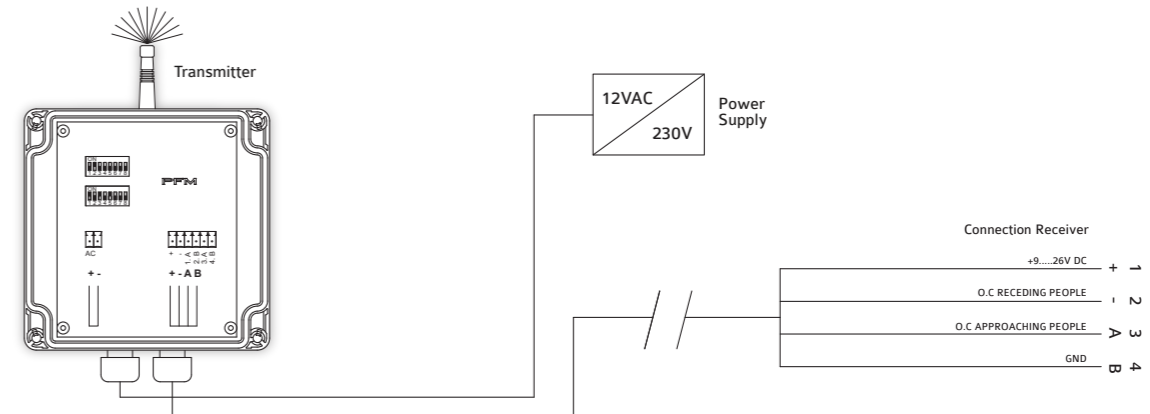
Flashing order of led's:
From A > B = Direction of incoming visitors
From B > A = Direction of outgoing visitors
Please refer to installation manual

HIGHWAYBOX

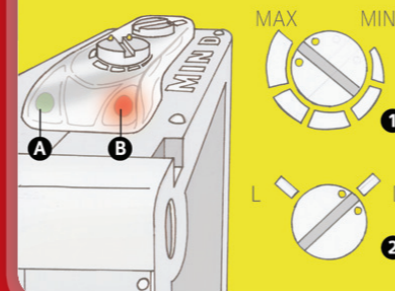


Connect to Sensorset 1 by one entrance

RADIO LINK



SENSOR ADJUSTMENT



- A OPERATING
- B DETECTION
- 1 SENSITIVITY SWITCH
- 2 SWITCHING OUTPUT
- D (D = DARK -DEFAULT)

switch on power after inst. and set switch 1 until the red top LED, B becomes red. turn back until led becomes green. Now turn 1/8 clockwise. The sensor top LED B Should become red after triggering the beam
NOTE: Sender can not be adjusted!

ERROR AFTER INSTALLATION

SENDER SIDE
GREEN LIGHT OFF:
* NO POWER
* CABLE PROBLEM

RECEIVER SIDE:
* NO POWER
* CABLE PROBLEM

HOGO TELLINGEN
OSCILLATIE (ZIE HOOFDSTUK.... SENSOR AFSTELLINGEN)

MANUAL TEXT
PFM SENSOR RANGE

SOFT- & HARDWARE SETTINGS

THIS SENSOR SET CAN BE USED IN MANY DIFFERENT WAYS AND SENSING THROUGH A GLASS PANEL IS NO PROBLEM. PLEASE KEEP IN MIND THAT EVERY PANEL OF GLASS REDUCES THE MAXIMUM REACH WITH 1 METER.

ALWAYS BE SURE THAT INCOMING PEOPLE TRIGGER THE A LIGHT ON THE MINILOGGER/ JUCTIONBOX/JB1-F. IF THIS IS NOT THE CASE SWAP THE SIGNAL WIRES ON THE LOGGER SIDE AND CHECK IT AGAIN.

THE INFLUENCE OF DOOR FRAME'S AND HANDLES SHOULD BE AVOIDED AT ALL TIMES. IF THIS IS MECHANICALLY NOT POSSIBLE ONE CAN SET A DOOR IGNORE TIME IN THE LOGGER.

THIS SET POINT IS A FILTER FOR THE MINIMUM PULSE LENGTH. SEE MANUAL PFM MINICONNECT.

AFTER INSTALLATION, THE ACCURACY HAS TO BE TESTED WITH THE MANUAL DISPLAY. CONNECT THIS DISPLAY TO THE LOGGER AND CHECK IF EVERY PERSON IS COUNTED IN THE RIGHT WAY. PEOPLE WHO CROSS THE BEAM TRIGGER 2 SIGNALS, ONE UPCOMING AND ONE OFF FALLING. IF THE PULSES ARE SIGNIFICANTLY HIGHER THAN THE NUMBER OF COUNTS, THE SENSORS HAVE TO BE ALIGNED AND/OR ADJUSTED REGARDING THE SENSITIVITY