



COUNTING counts

Counting Counts is a global community of professionals. Our members participate in improving and developing Pedestrian Flow Measurement-systems giving multinational organisations reliable insights for their business strategies.

JOIN OUR GROUP

POWERED BY

DEALERBLOK

PFM Netherlands (HQ)
Flucon BV
Kalkovenweg 54
2401LK Alphen a/d Rijn
infoNL@pfm-counts.com

PFM England
Counting Solutions
2 Perth House
NN17 5JG Corby
infoUK@pfm-counts.com

PFM Germany
PFM Deutschland GmbH
Fenglerstraße 9 a
I d-22041 Hamburg
infoDE@pfm-counts.com

PFM in France
Canal Cable
01 Rue Claude Matrat
92130 Issy Les Moulineaux
infoFR@pfm-counts.com

PFM in Spain
Equiservi Madrid
Colmenar Viejo
Madrid 28770
infoSP@pfm-counts.com

PFM in Australia
PO BOX 5111 Burnley
Melbourne
Victoria 3121
infoAU@pfm-counts.com

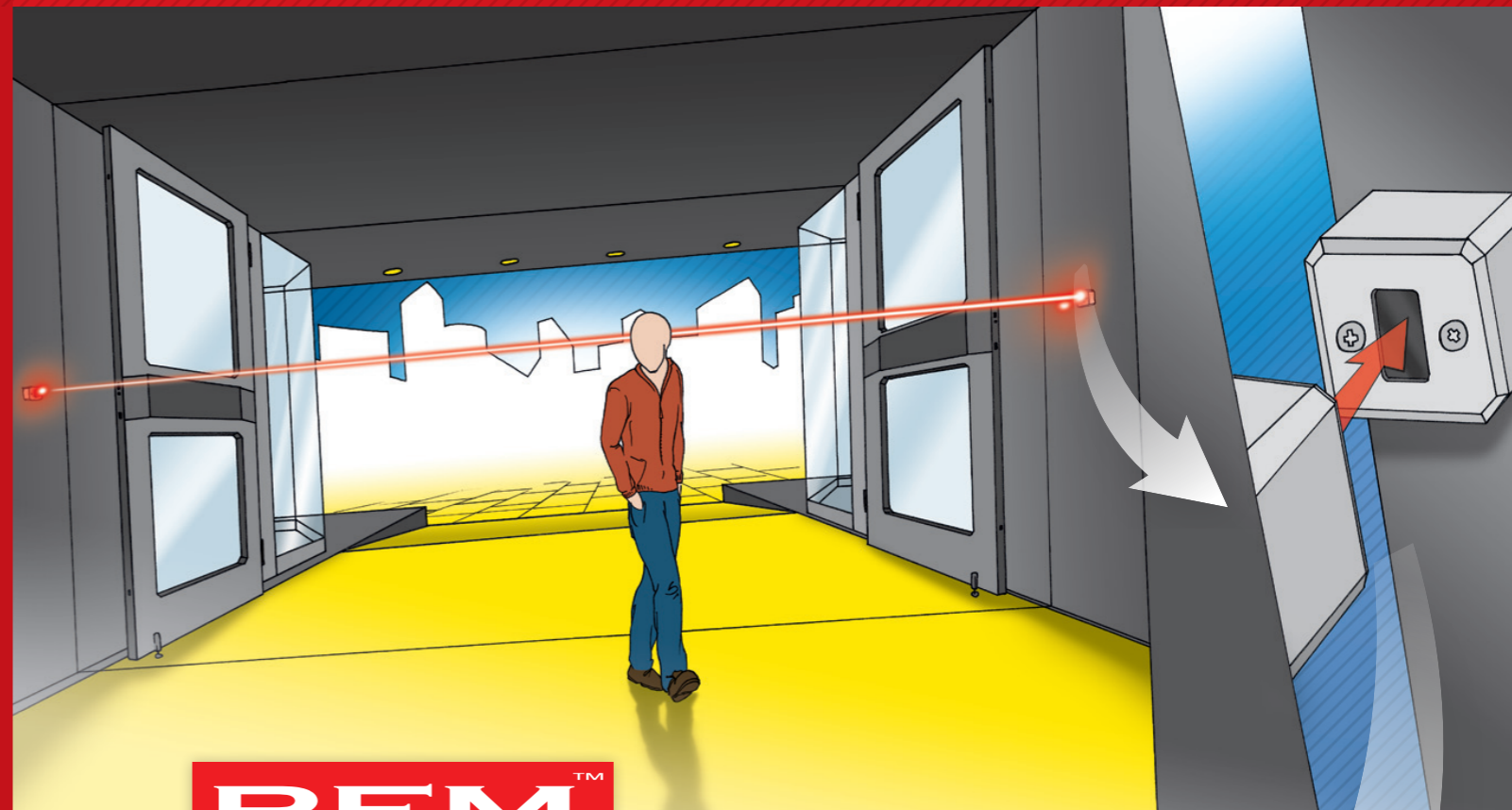
PFM in Portugal
Avenida da Boavista
245-4
4050-115 Porto
infoPT@pfm-counts.com

PFM in South Afrika
Carpe Diem Office Park
Venezia Building
Cape Town
infoSA@pfm-counts.com

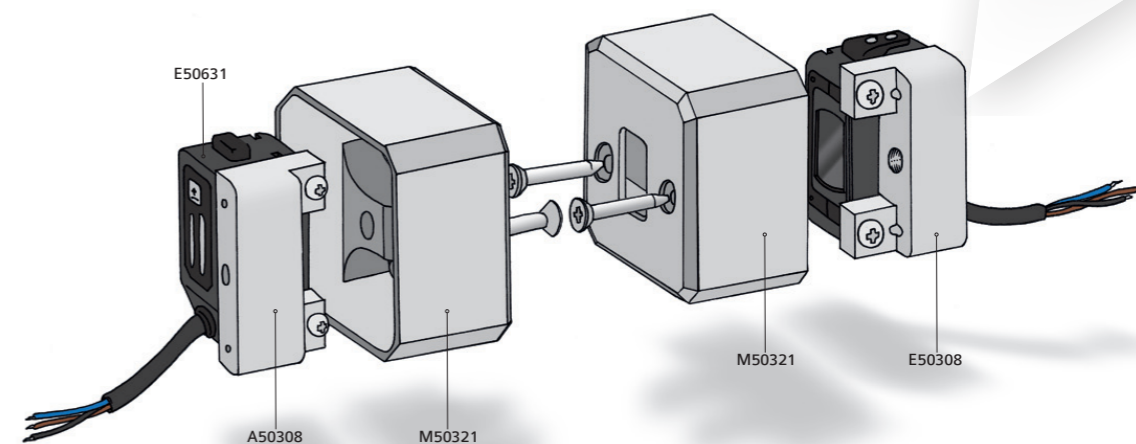
PFM in Czech Republic
Novatec S R O
Strojirenska 260
CZ 155 21 Praha Zlicin
infoCZ@pfm-counts.com

PFM in Romania
Vonrep S.r.l
Str. Unirii bl.13 Sc. 2 Ap.
11 Targu Jiu
infoRO@pfm-counts.com

PFM in Italia
Via Marconi 6
26020
Palazzo Pignano (CR)
infoIT@pfm-counts.com



LFT10-S

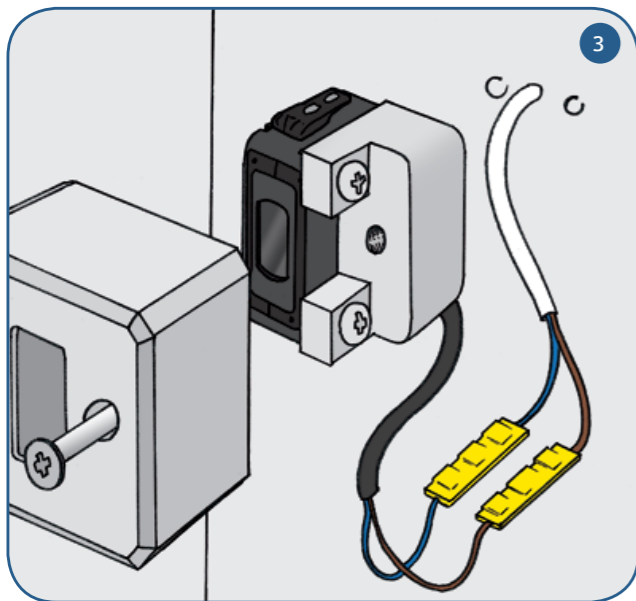
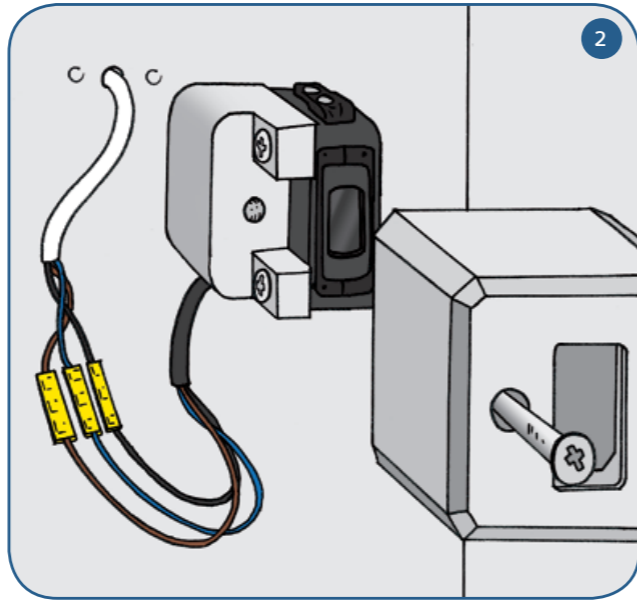
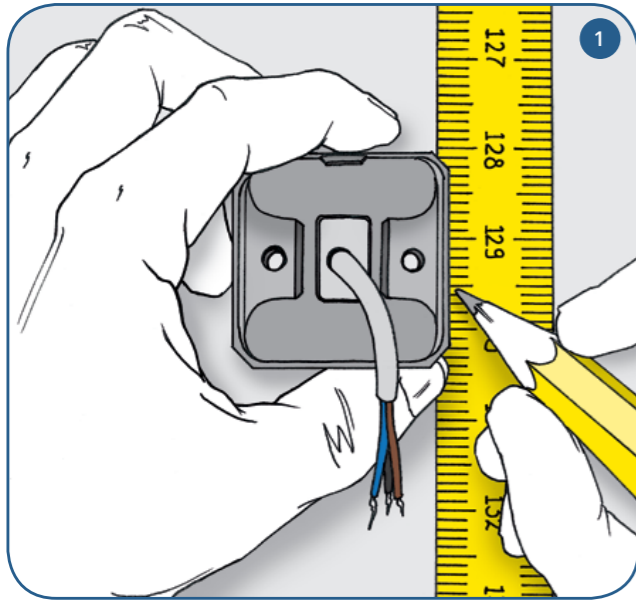


The LFT10-S is a single receiver sensorset. With these kind we can't measure the difference between in an out going people but we simple add al counts in the logfile. The actual visitors is the sum divided by two. The maximum distance between de sender and reciever is approx 15m. We use this set either inside and outside and the mounting height is 1,3m

TOOLLIST

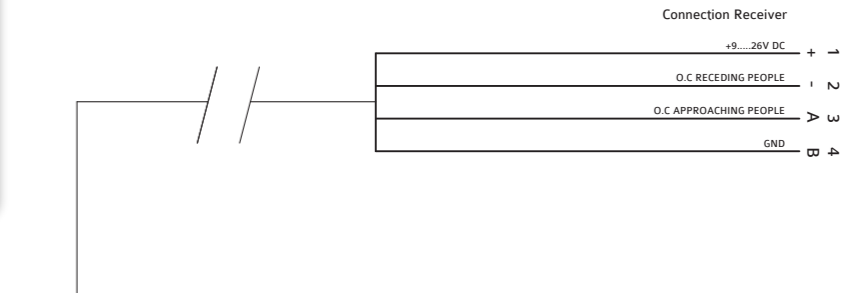
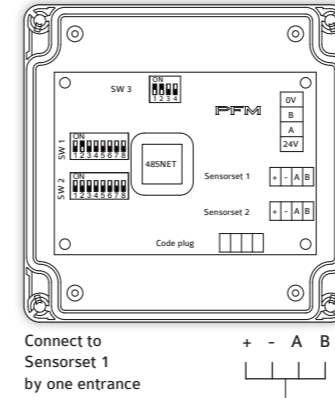
- FITTING SCREWDRIVER
- MEASURING TAPE
- SCREWDRIVER CROSS
- AMP TOOL
- CUTTER
- DRILMACHINE Ø 5 & 4,2
- MACHINE TAP M5
- STANLEY KNIFE

MOUNTING INSTRUCTIONS

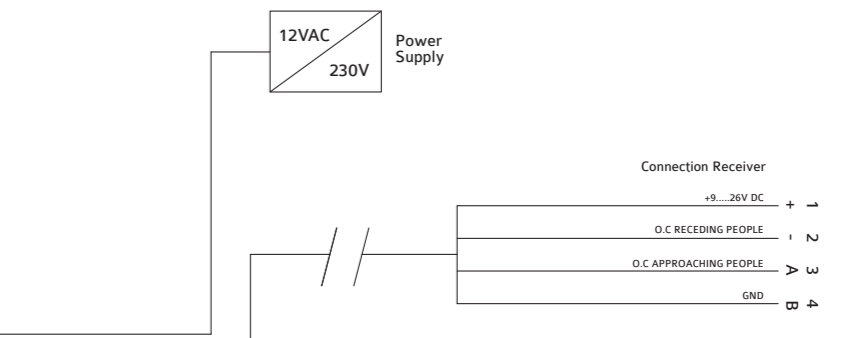
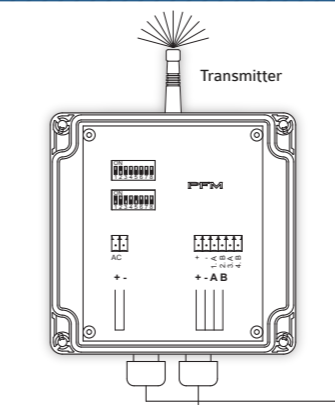


- 1 DETERMINE BEST PLACE FOR SENDER AND RECIEVER, KEEP IN MIND THAT ENVOIREMENTAL OBJECTS SUCH AS DOORS, DOOR-HANDLES AND COMMERCIAL OBJECTS, HAVE TO BE OUTSIDE THE IR BEAM MUCH AS POSSIBLE. FEED THE CABLE THROUGH THE WALL/ DOORFRAME AT 1,3M.
- 2 CONNECT THE SENSORS AS FOLLOWING:
(SENDER & RECIEVER) BROWN - BROWN = PLUS
(SENDER & RECIEVER) BLUE - BLUE - MINUS
(RECIEVER) BLACK - BLACK - SIGNAL A
- 3 MOUNT THE RECIEVER ONTO THE WALL AND PUT POWER ON THE SYSTEM. ONE CAN ADJUST THE RECIEVER SENSIVITY. WHEN GLASS OBJECTS WILL BE IN THE BEAM DURING OPERATION, PLEASE ADJUST THEM WHILE THE GLASS IS IN THE BEAM AS WELL. SEE NEXT PAGE FOR SENSOR SENSIVITY ADJUSTMENTS.

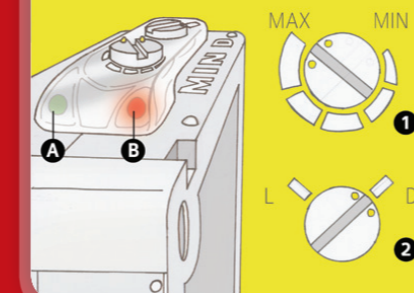
HIGHWAYBOX



RADIO LINK



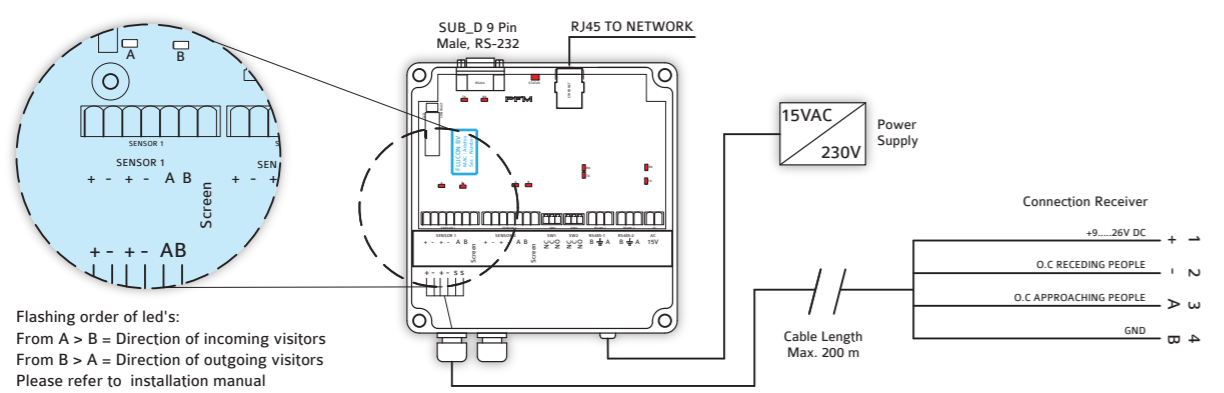
SENSOR ADJUSTMENT



- A OPERATING
- B DETECTION
- 1 SENSIVITY SWITCH
- SWITCHING OUTPUT
- 2 (D = DARK -DEFAULT)

switch on power after inst. and set switch 1 until the red top LED, B becomes red. turn back until led becomes green. Now turn 1/8 clockwise. The sensor top LED B Should become red after triggering the beam
NOTE: Sender can not be adjusted!

SYSTEM 6(A)



Flashing order of led's:
From A > B = Direction of incoming visitors
From B > A = Direction of outgoing visitors
Please refer to installation manual

ERROR AFTER INSTALLATION

ZENDER KANT
GEEN GROEN LAMPJE >
GEEN STROOM OP
ZENDER

ONTVANGER KANT
GEEN GROEN LAMPJE >
GEEN STROOM OP
ONTVANGERS

HOGE TELLINGEN
OSCILLATIE (ZIE HOOFD-
STUK.... SENSOR AFSTEL-
LINGEN)

MANUAL TEXT
PFM SENSOR RANGE

SOFT- & HARDWARE SETTINGS

THIS SENSOR SET CAN BE USED IN MANY DIFFERENT WAYS AND SENSING THROUGH A GLASS PANEL IS NO PROBLEM. PLEASE KEEP IN MIND THAT EVERY PANEL OF GLASS REDUCES THE MAXIMUM REACH WITH 1 METER.

ALWAYS BE SURE THAT INCOMING PEOPLE TRIGGER THE A LIGHT ON THE MINILOGGER/ JUCTIONBOX/JB1-RF. IF THIS IS NOT THE CASE SWAP THE SIGNAL WIRES ON THE LOGGER SIDE AND CHECK IT AGAIN.

THE INFLUENCE OF DOOR FRAME'S AND HANDLES SHOULD BE AVOIDED AT ALL TIMES. IF THIS IS MECHANICALLY NOT POSSIBLE ONE CAN SET A DOOR IGNORE TIME IN THE LOGGER.

THIS SET POINT IS A FILTER FOR THE MINIMUM PULSE LENGTH. SEE MANUAL PFM MINICONNECT.

AFTER INSTALLATION, THE ACCURACY HAS TO BE TESTED WITH THE MANUAL DISPLAY. CONNECT THIS DISPLAY TO THE LOGGER AND CHECK IF EVERY PERSON IS COUNTED IN THE RIGHT WAY. PEOPLE WHO CROSS THE BEAM TRIGGER 2 SIGNALS, ONE UPCOMING AND ONE OFF FALLING. IF THE PULSES ARE SIGNIFICANTLY HIGHER THAN THE NUMBER OF COUNTS, THE SENSORS HAVE TO BE ALIGNED AND/OR ADJUSTED REGARDING THE SENSIVITY